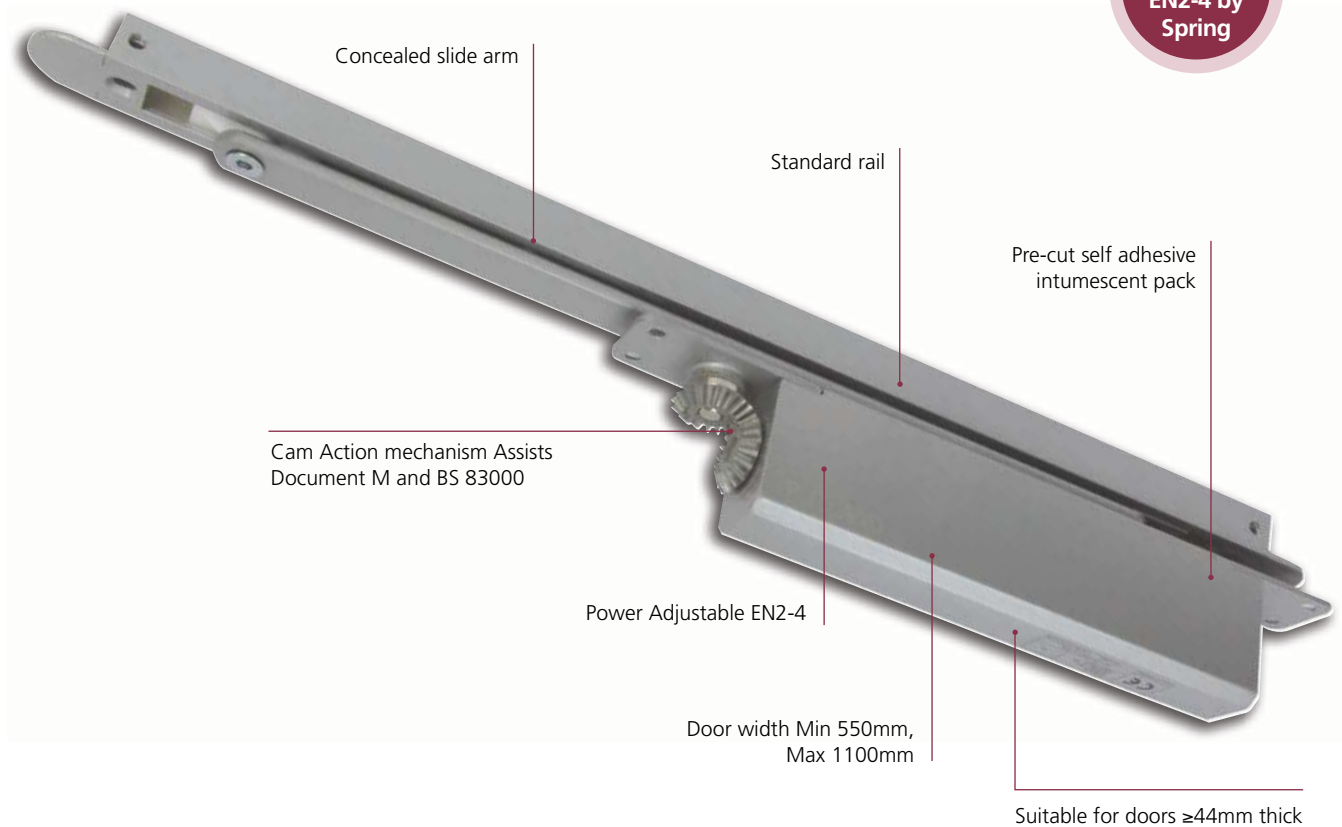


D96/1

Concealed Standard Rail

Power Adjustable EN2-4 by Spring



Silver (SE)



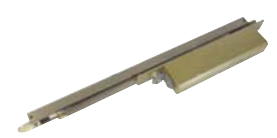
Satin Nickel Plate (SNP)



Polished Nickel Plate (PNP)



Electro Brass (PVD)



Antique Brass (AB)



Satin Brass (SB)



Black (BK)

Product Overview

- ✓ Variable power size EN 2-4
- ✓ CE marked
- ✓ Concealed cam and roller mechanism
- ✓ Universal fitting
- ✓ Standard rail
- ✓ Easy to read instructions, saving over 12 minutes fitting time
- ✓ Corrosion Grade 3 – Recommended for internal use

Specification Overview



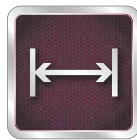
Fire Tested to EN1634



Max Door Weight up to 80kg



Opening Angle 110°



Door Width 550-1100mm



Min Door Thickness 44mm



Adjustable Closing Speed



11204250CP R071118



Universal Application



Power Size EN2-4



Adjustable Latch Speed



Guarantee

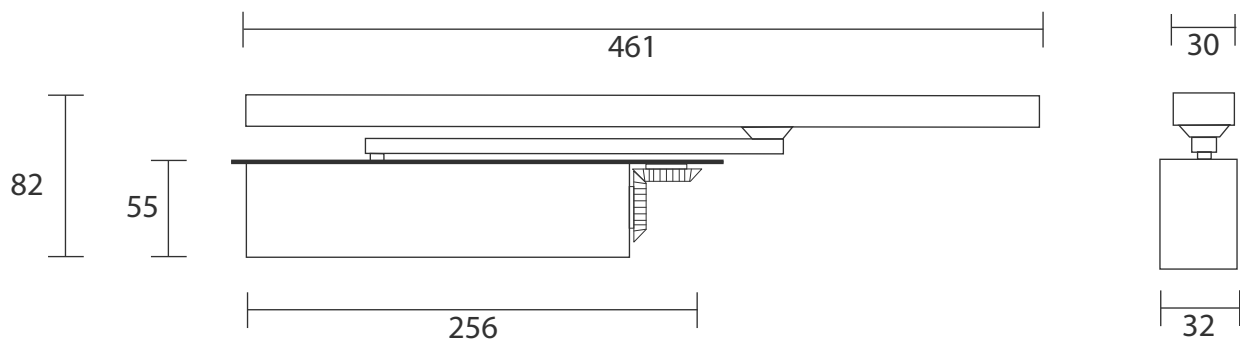


Min Door 835mm



IFCC 1417

All dimensions shown are in mm.



Technical Information

BS EN 1154 Classification

D96/1 door closers have been independently tested to conform with the EN 1154 performance standard. They are CE marked and classified as follows:

3 8 $\frac{2}{4}$ 1 1 3

BS EN 1634 Fire Test

D96/1 closers have been tested to EN 1634 requirements up to 60 minutes– please specify intumescent gasket IP.114. Test certificates are available on request.

FIRE DOORS

Intumescent **MUST** be used on fire doors – please enquire for latest testing details.

ITT Timber Leaf & Timber Frame:

May be fitted in previously tested single-acting, latched or unlatched, intumescent sealed timber door and timber frame assemblies.

IMM & MM Timber Leaf & Timber Frame:

May be fitted in previously tested single-acting steel door assemblies, if required in latched or unlatched un-insulating or insulating steel door leaf and steel frame assemblies.

Options

- Mechanical hold open slide rail (*Not to be used on fire doors. Not covered by CE*)
- Anti-Ligature
- For uninsulated doors see code in components list for intumescent kit