

D70 - D80

Floor Springs

Certified to ISO 9001.

Benefits

For the trade

- Reduced stock requirements because of separate, interchangeable spindles.
- Slim product range offering all key functions.

For the installer

- Suitable for installation with LH or RH single and double action doors.
- Interchangeable spindles enable easy adaptation to structural conditions-even when retrofitted.

For the architect/specifier

- Concealed installation for maximum visual elegance.
- All essential functions provided.
- Proven, robust design capable of withstanding leaf weights of up to 300 kg¹⁾

For the user

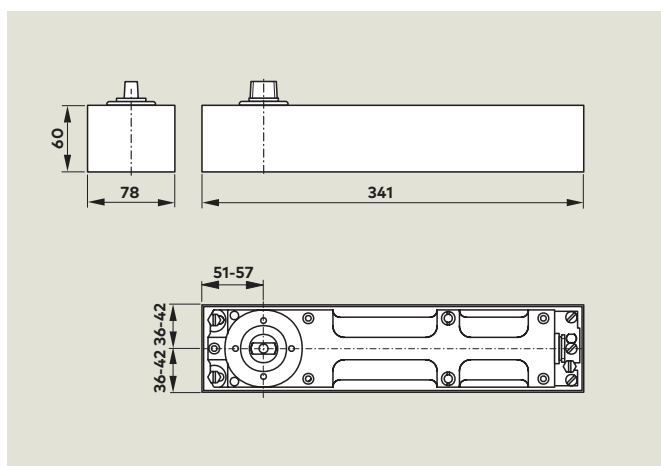
- Constant, temperature-independant closing cycle.
- Highly efficient mechanism gives maximum user convenience.

Data and features		D80			D70
Spring strength (EN)		3	4	6	1-4
Spring strength adjustment		-	-	-	●
Standard and external doors ¹⁾	≤ 950 mm	●	-	-	-
	≤ 1100 mm	-	●	-	●
	≤ 1400 mm	-	-	●	-
Fire and smoke check doors		-	-	-	●
Max. leaf weight (kg)		300			120
Non-handed, suitable for single and double action doors		●			●
Closing speed adjustable by value	175° - 0°	●			-
	175° - 15°	-			●
	15° - 0°	-			●
Backcheck, mechanical		●			●
Delayed action adjustable by valve (selectable alternative to the hold-open feature)		●			-
Hold-open	Adjustable	●			-
	Fixed 90°	-			●
	Fixed 105°	-			●
Coverplate secure to	cement box	-			-
	floor spring	●			●
Weight in kg		7,1			3,0
Dimensions in mm	Length	341			285
	Width	78			82
	Height	60			50
Floor spring tested to EN 1154		●			●
CE-mark for building products (products with factory-fitted hold-open do not carry a CE mark)		-			●

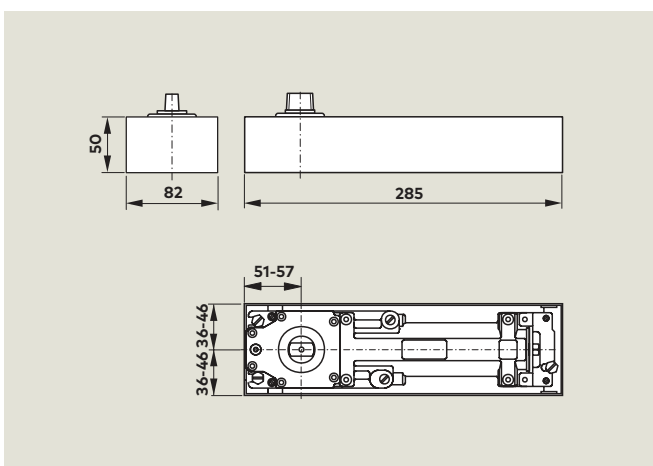
● yes - no

¹⁾ For particularly heavy doors and doors which have to close against wind resistance, we recommend the **D80**

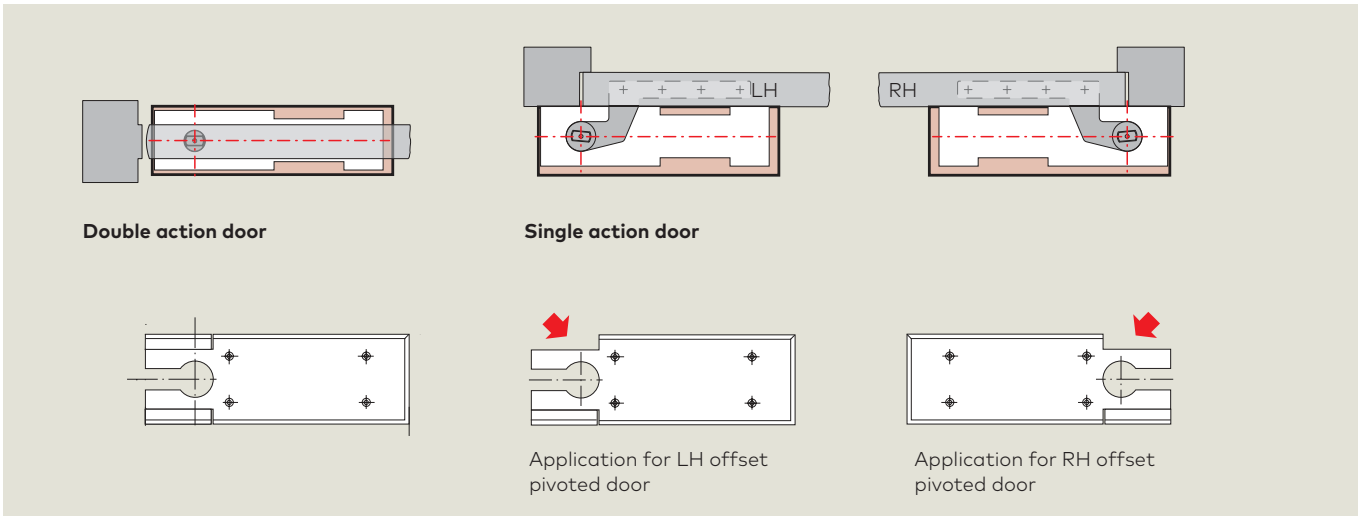
D80



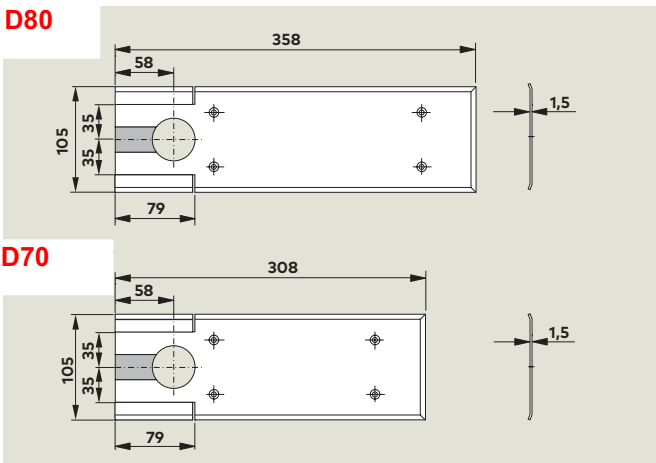
D70



Application and Installation

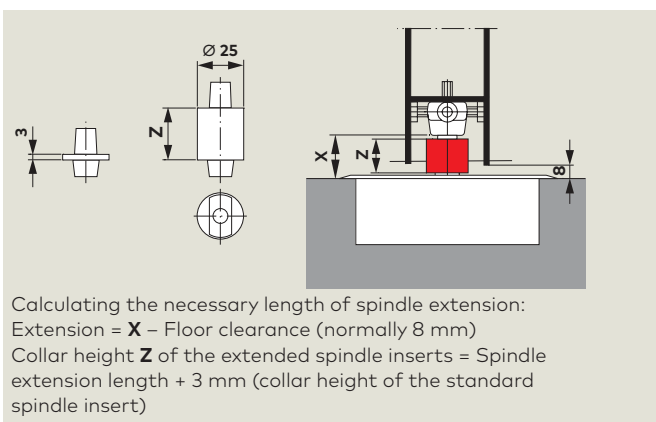


Accessories



Universal cover plate

Adaptable to right or left hand single action applications by simply snapping off the appropriate pre-blanked corner sections. For double action doors, the corner sections remain in place. The universal cover plate is available in stainless steel or satin brass (material thickness 1.5 mm).



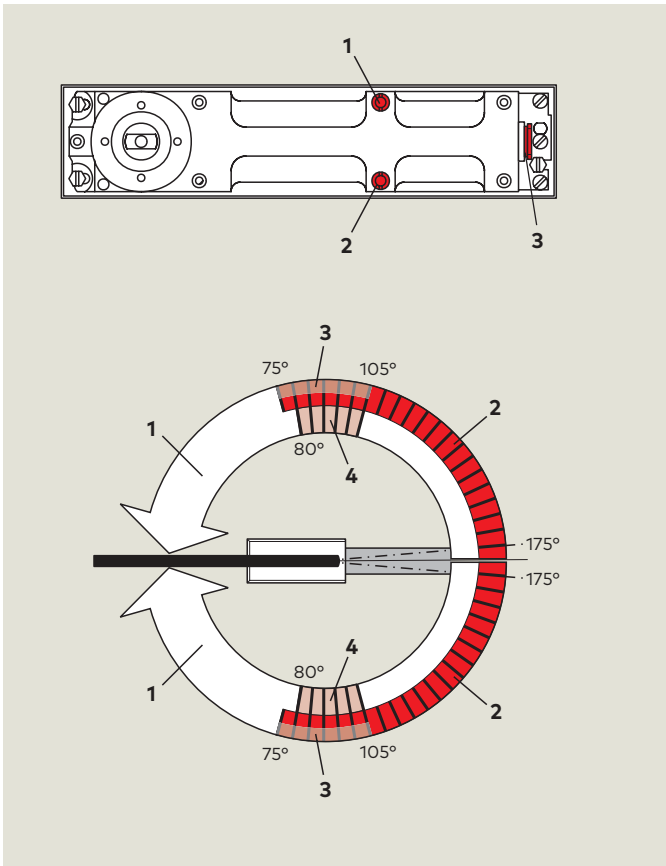
Spindles

A range of interchangeable spindles is available to provide greater floor clearance if required (e.g. doors with thresholds, carpeted floors etc). Special spindles available on application: e.g. with flat face profile and 3° offset or square section; spindles for non-dormakaba-specific accessories are also available.

Calculating the necessary length of spindle extension:
 Extension = X – Floor clearance (normally 8 mm)
 Collar height Z of the extended spindle inserts = Spindle extension length + 3 mm (collar height of the standard spindle insert)

Standard and optional functions

D80



- 1 Adjustable closing speed
- 2 Hold-open range or delayed action range
- 3 Adjustment range – point at which hold-open begins, or end of delayed action range (approx. 75° to 105°).
- 4 Mechanical backcheck (from approx. 80°)

Hydraulic hold-open

The integrated hold-open function allows the door to be held open at any angle between 75° and 175°. The angle at which the holdopen function begins can be adjusted in the range of 75° to 105°.

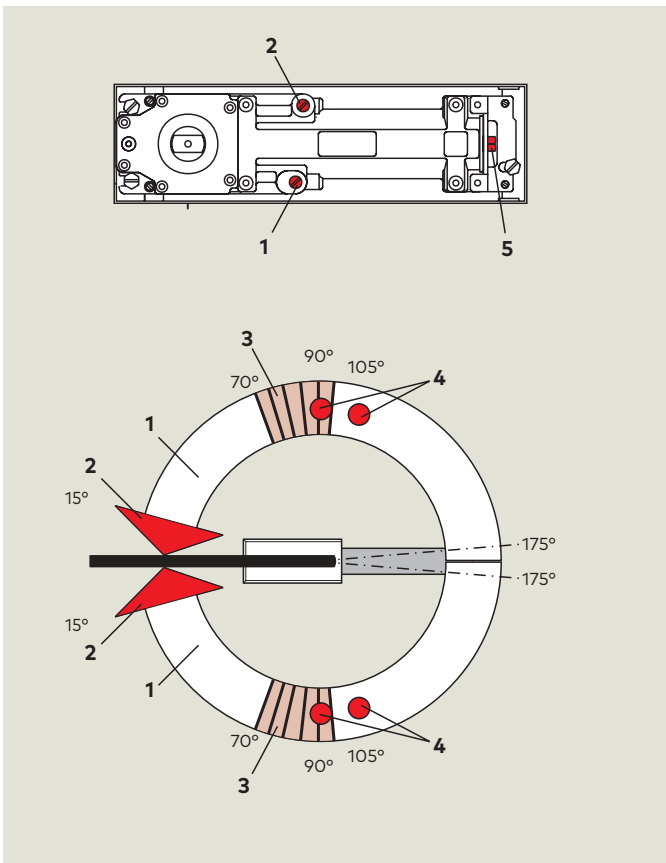
Backcheck

The integrated mechanical backcheck function protects the wall and door from damage caused by excessively vigorous opening.

Delayed action

The delayed action function slows the door closing speed, thereby allowing disabled persons, mothers with pushchairs, staff with trolleys or hospital gurneys etc. to pass through the door without problem.

D70



- 1 Adjustable closing speed in the range 175° – 15°.
- 2 Adjustable closing speed in the range 15° – 0°.
- 3 Mechanical backcheck (from approx. 70°).
- 4 Fixed hold-open at 90° or 105° (option).
- 5 Adjustable spring strength (EN 1–4).

Closing speed

With two independently adjustable closing ranges (175° – 15° and 15° – 0°) the dormakaba BTS 75 V is ideally adaptable to different structural conditions.

Backcheck

The integrated mechanical backcheck function protects the wall and door from damage caused by excessively vigorous opening.

Fixed hold-open (option)

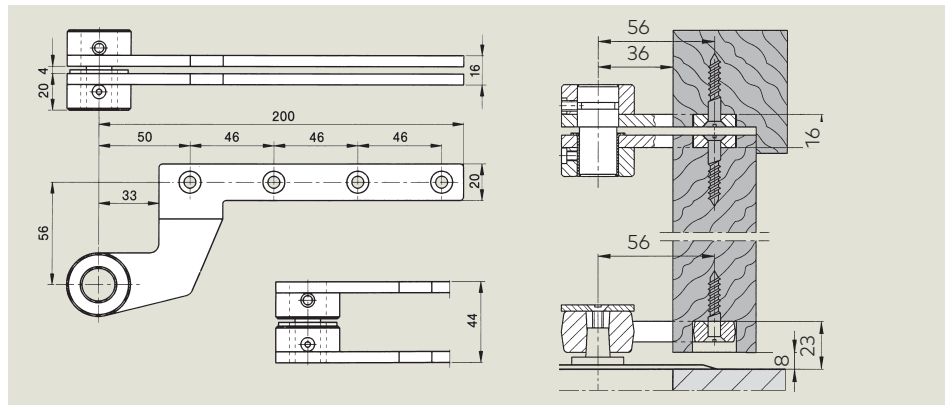
With the fixed hold-open function the door can be held open at an angle of 90° or 105°, depending on model.

Not suitable for use on Fire doors.

For single action timber doors (flush-closing)

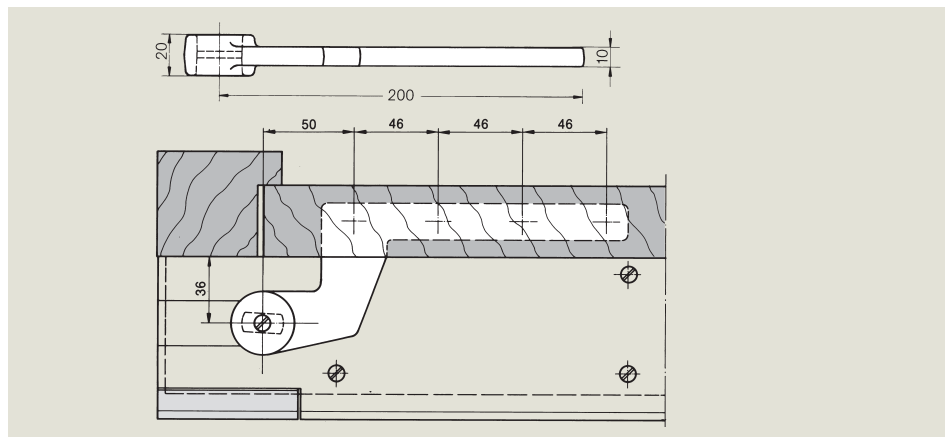
Top centres

Art. No. 7411 K/56
Zinc-plated steel; with eccentric pin and bush for adjustment after hanging the door; non-handed.
Order No. 45300016



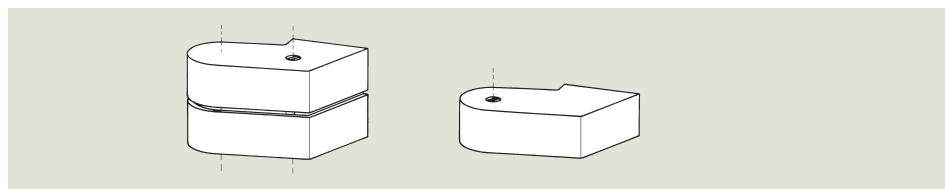
Door strap

Art. No. 7411/56
Drop forged steel, zinc-plated.
Order No. 45010003



Top washer for door strap

Art. No. 7432
Stainless steel
Order No. 45090030



Cover caps

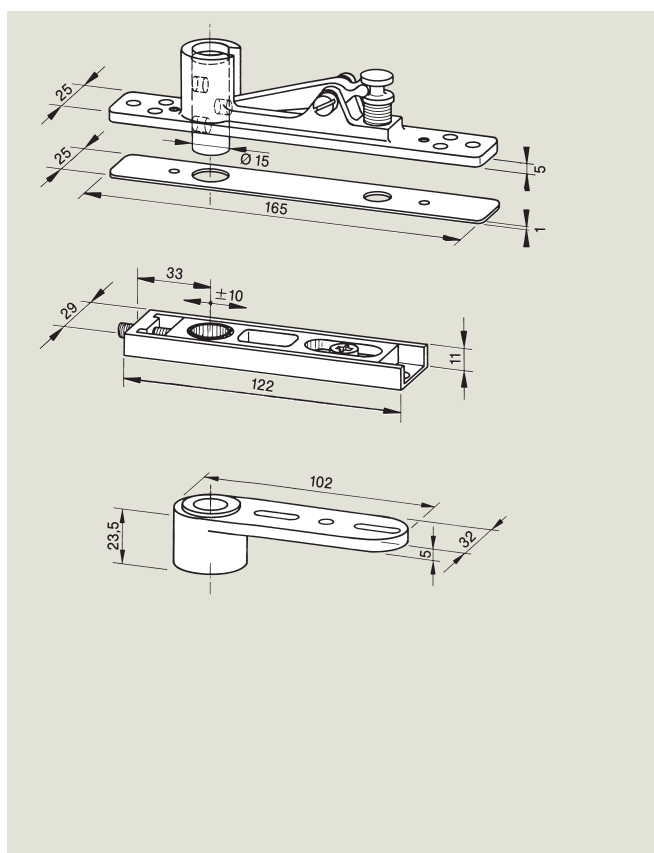
For top centres and door strap

Type	Order No. for cover caps		
	for top centres, two parts	for door strap, single	
		LH (ISO 6)	RH (ISO 5)
Die cast aluminium Art. No. 7483/7481			
Mill finish	45500301	45055300	45051300
Silver (EV 1, Euras C-0)	45500401	45055400	45051400

For Double Action Steel, Aluminium and Timber Doors

Adjustable top centres (zinc die-cast)

comprising an frame portion with adjustable pin for deep profiles up to max. 20 mm, and door portion with needle bearing (8067 with plastics bearing). For deeper profiles, the top centre assembly can be supplied with pins extended by 10 mm.



Frame portion 8062/8067
Order No. 46020031

Cover plate 8064
Order No. 46020044

Door portion 8062
Order No. 46020033

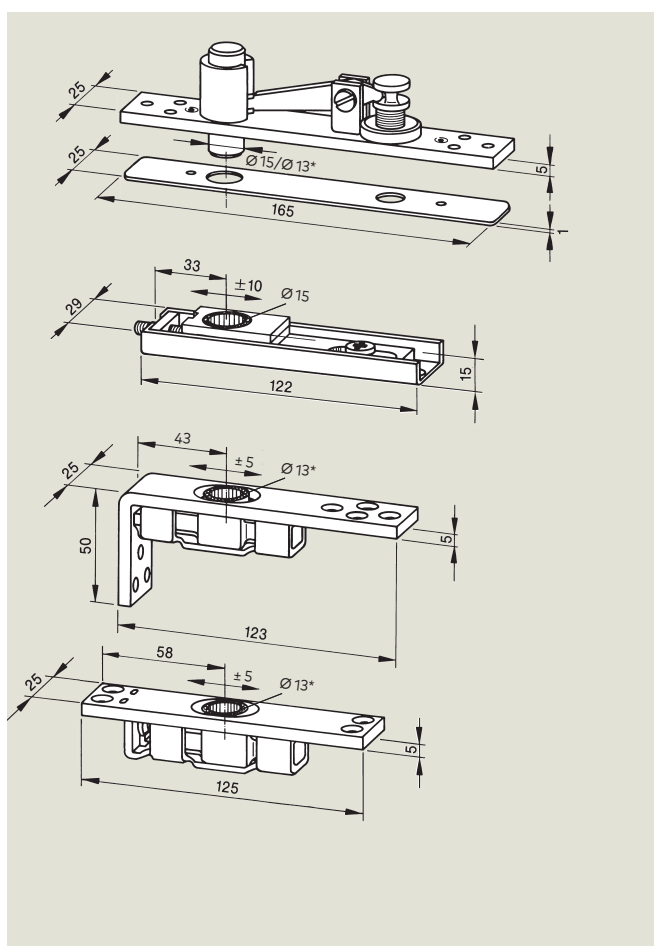
Door portion 8067
Order No. 46020011

Top centres complete

(Frame- and door portion)
8062 Order No.46300003
8067 Order No.46300005

Adjustable top centres (steel)

comprising an frame portion with adjustable pin for deep profiles up to max. 16 mm, and door portion with needle bearing. For deeper profiles, the top centre assembly can be supplied with pins extended by 10 mm.



Frame portion 8066
Order No. 46020036
Frame portion 7461*
Order No. 46020050

Cover plate 8064
Order No. 46020044

Door portion 8066
Order No. 46020047

Door portion 7461 A*
Order No. 46020048

Door portion 7463 B*
Order No. 46020049

Top centres complete

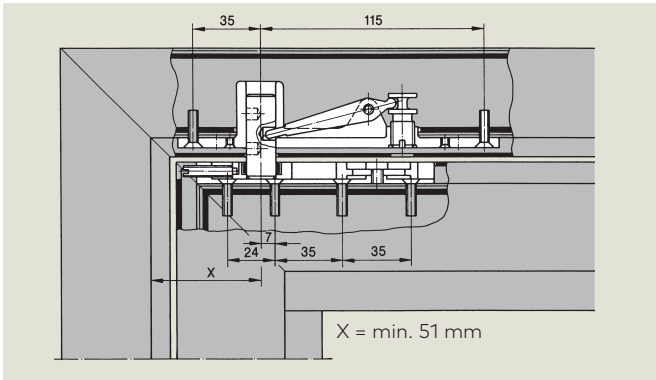
(Frame- and door portion)
8066 Order No. 46300006

* For door portions

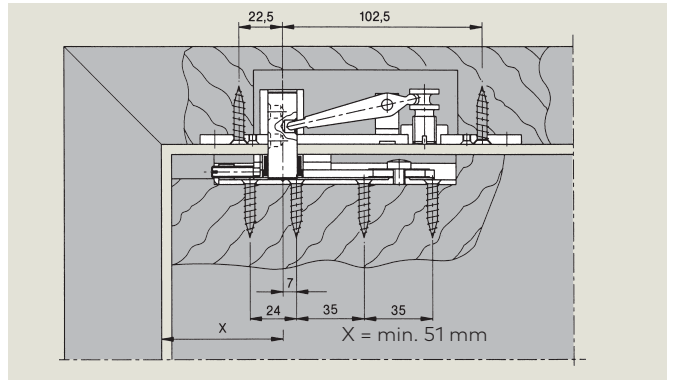
7461 A and 7463 B, use frame portion 7461 with 13 mm dia. pin.

Typical installations

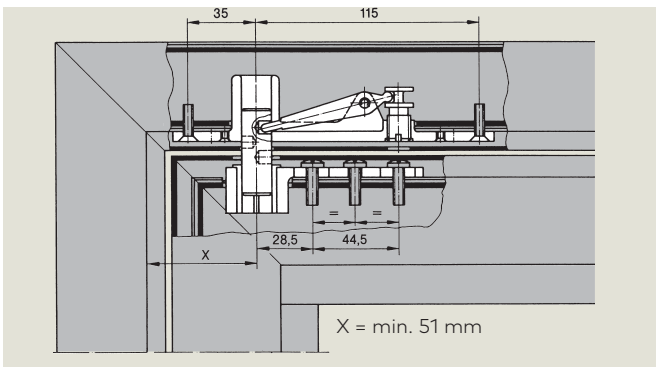
For aluminium doors Top centre 8062



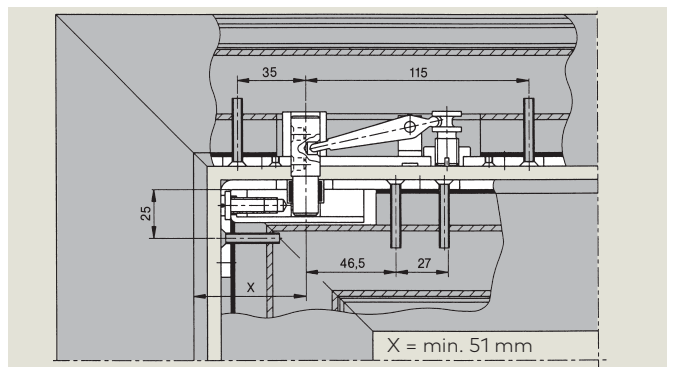
For timber doors Top centre 8066



For aluminium doors Top centre 8067

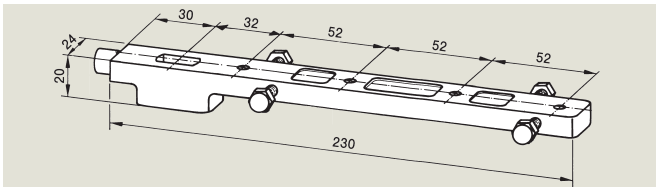


For steel doors Top centre 7461

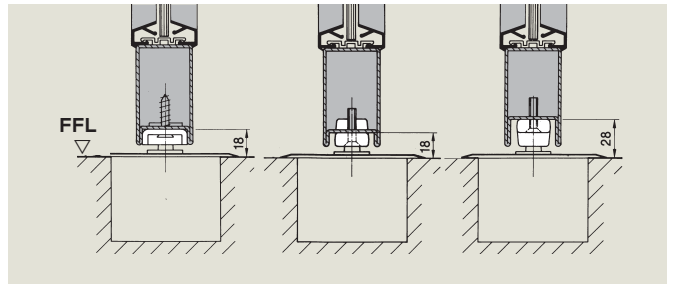


Bottom straps

Universal bottom strap Art. No. 7422



Drop forged steel, zinc-plated; adjustable to various frame profiles. Order No. 46010002

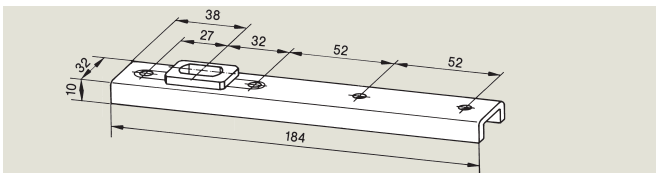


Bottom strap 8021

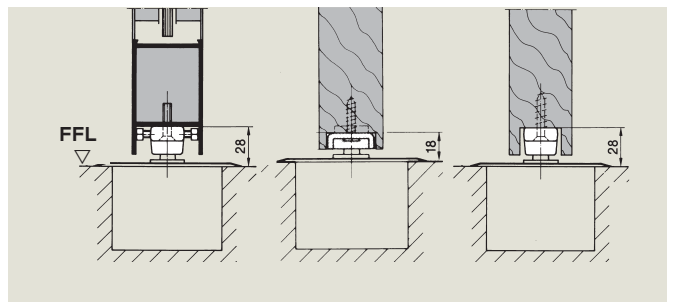
Bottom strap 7421
with milled hole

Bottom strap 7421
surface fixed

Bottom strap Art. No. 8021



Zinc-plated steel; for door weights up to 100 kg. Order No. 45010410

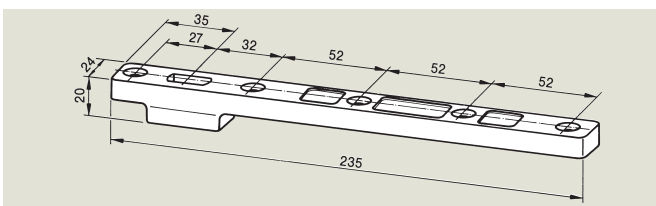


Bottom strap 7422

Bottom strap 8021

Bottom strap 7421

Bottom strap Art. No. 7421



Drop forged steel, zinc-plated for door weights up to 300 kg. Order No. 46010001